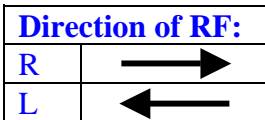
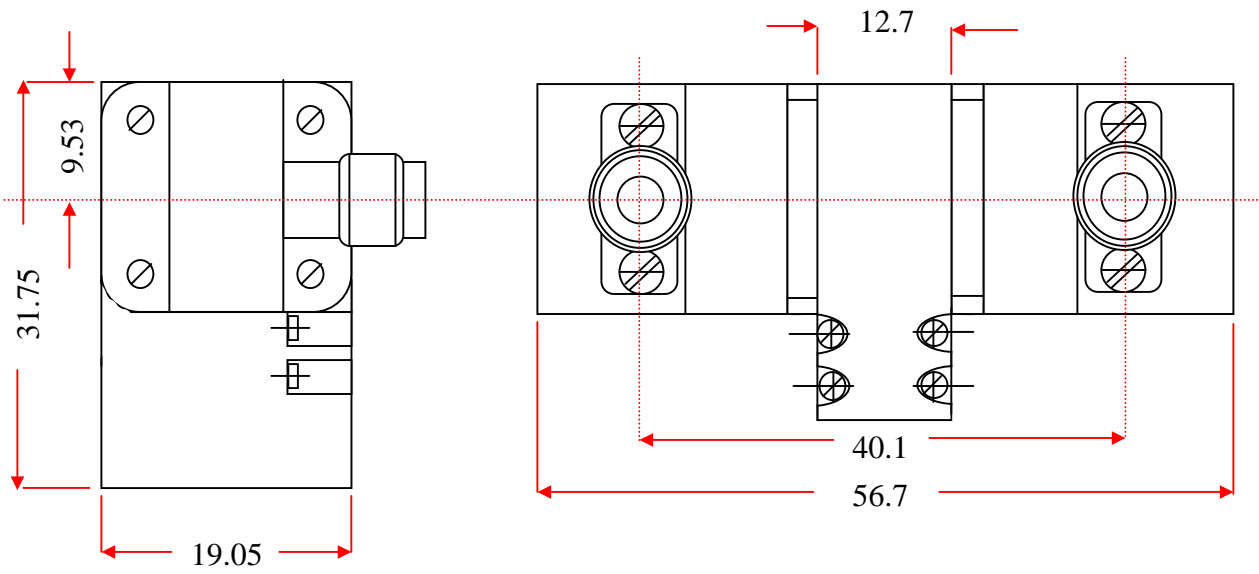


RADITEK INC.

code E

**(Coaxial Isolator, 26.5-40GHz, K/2.9/2.4 Connectors, 1 Watt)
RADI-26.5-40-(K)2.9/2.4-1WR**



Not to scale
Units: mm

| K/ Connector options | | | | |
|----------------------|--------|-----|-------------|---------------|
| | | Iso | Circ | Circ |
| Port 1 | Port 2 | Iso | Port 3 Male | Port 3 Female |
| female | male | -1 | -11 | -21 |
| male | female | -2 | -12 | -22 |
| female | female | -3 | -13 | -23 |
| male | male | -4 | -14 | -24 |

| Specifications | | |
|-----------------------|------------|-------|
| Frequency | 26.5-40 | GHz |
| Insertion Loss | 1.2 | dB |
| Isolation | 17 | dB |
| VSWR | 1.55 | :1 |
| Power (forward) | 1 | Watts |
| Power (reverse) | 0.5 | Watts |
| Operating Temperature | +15 to +35 | °C |

RI/C-26.5-40-Kx-1WR

Specifications may be subject to change

12/2/04

WORLD HQ: 1702H Meridian Ave. Suite 127, San Jose, Ca 95125, U.S.A.

Telephone: (408) 266-7404 FAX: (408) 266-4483

WEB: www.raditek.com, E-mail: sales@raditek.com